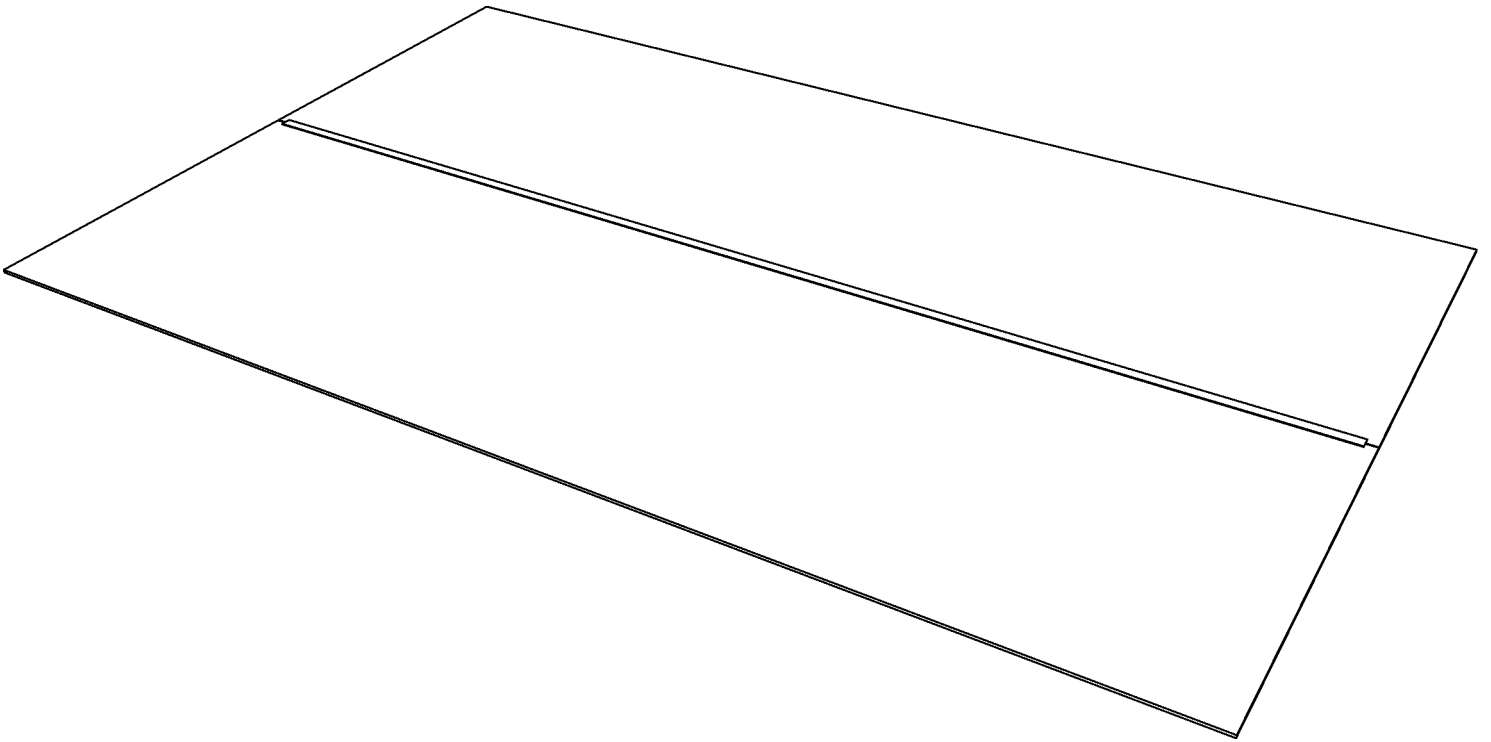
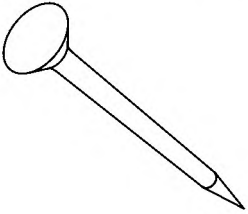
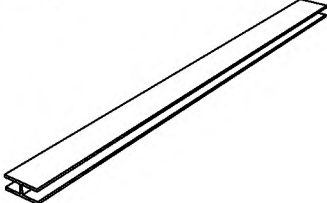


# Bottom for bed KRL-1600 (x2)

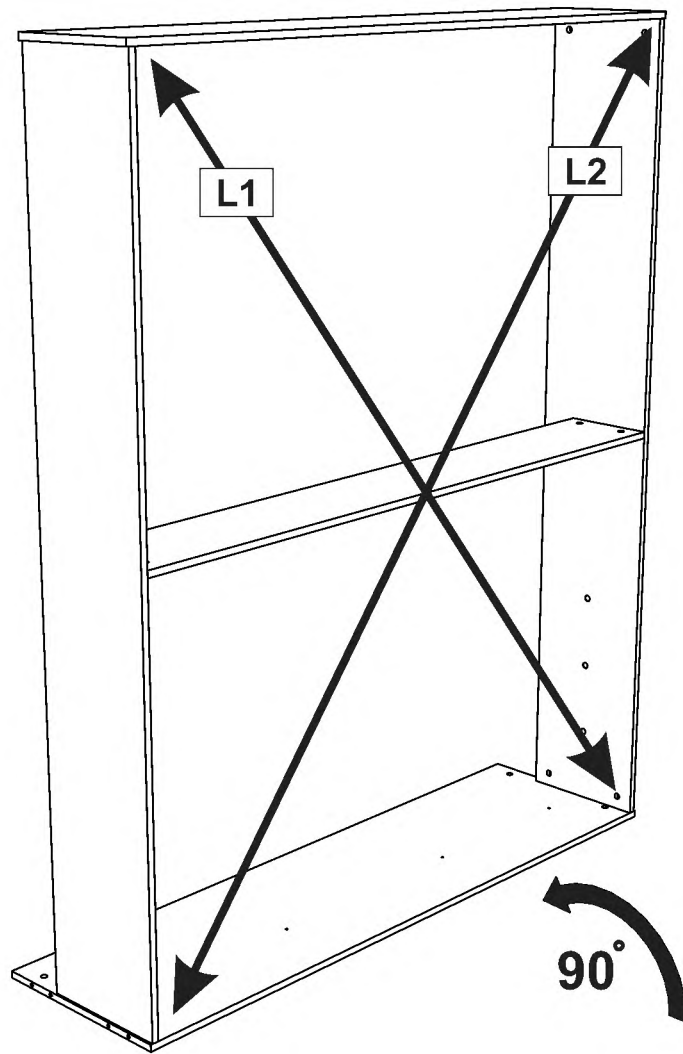


**1**

**1648x507-4**

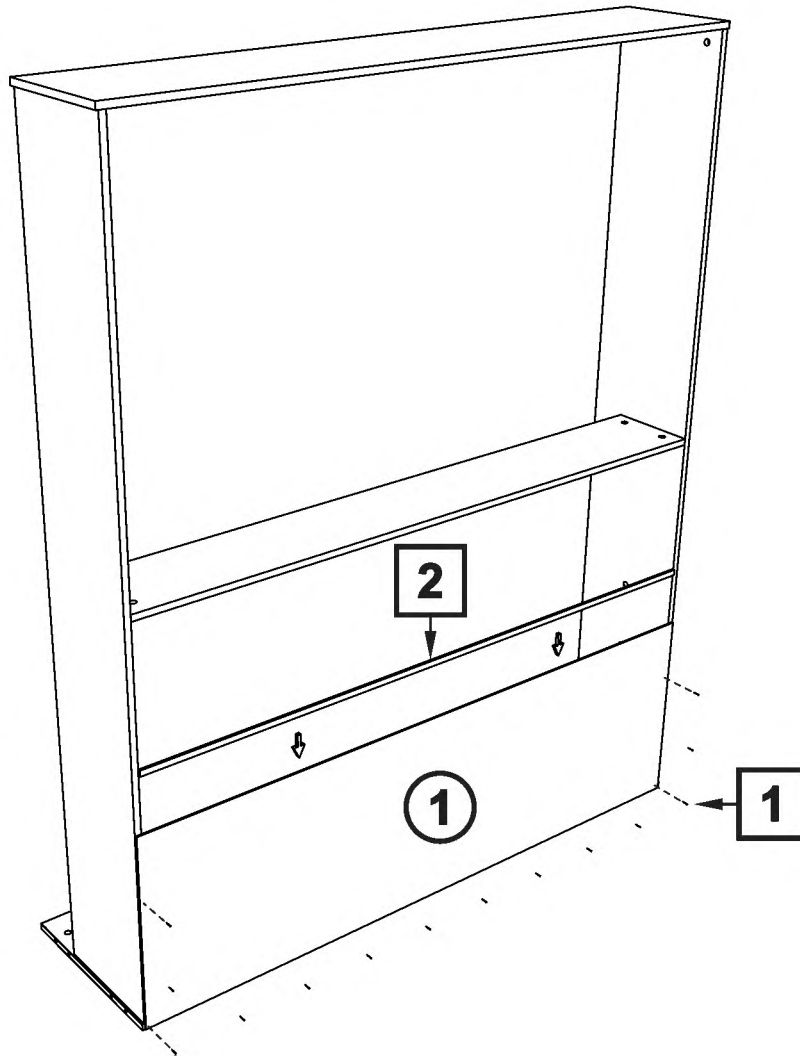
<b>1</b>	<b>74 x</b>
	<b>2</b> <b>2 x</b>  <b>1618 mm</b>

1

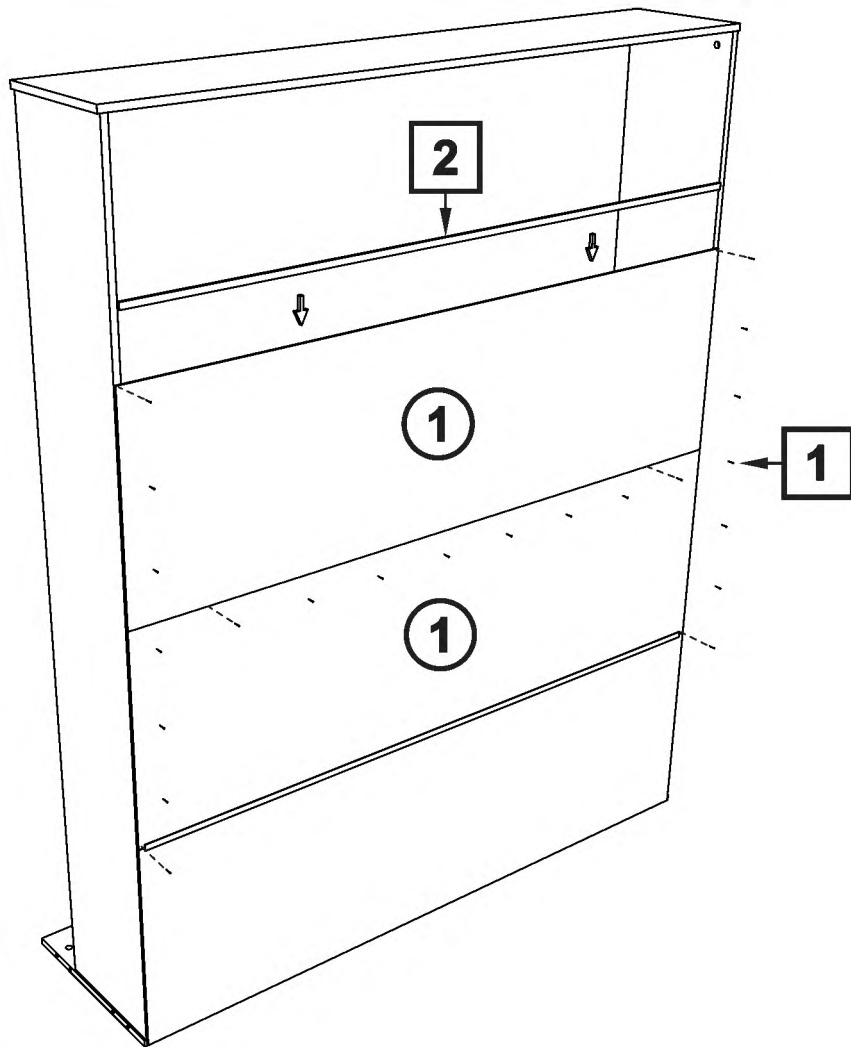


L1=L2

2



3



4

